

Rayou Lighting technical data

LED LAMP COB 11W AR111

Lighting technical data

**LED AR111 is an alternative light source
with longer life and uniformed light distribution**



LED LAMP AR111



Line-Up

Model No.	Watts(W)	Light Output(lm)	Dimension(mm)	Light Color(K)	Beam Angle(Degree)
RL-AR111WADSPW-11W	11±10%	930±10%	Φ111*69	6000	30
RL-AR111WADSWW-11W	11±10%	750±10%	Φ111*69	3000	30

Technical Specifications

Item	Test Conditions	Min.	Typ.	Max.
Input Voltage(V, rms)	AC	---	12	---
Input Current(A, rms)	AC(12V)	0.55	0.92	1.1
Input Voltage(V, rms)	DC	10	12	20
Input Power(W, rms)	AC(All)	---	11	---
Input Frequency(Hz)	AC	---	20KHz	---
Power Factor(PF)	AC(All)	---		
Output Voltage(V)	DC	35	36	37
Output Current(mA)	DC	250	260	270
Output Power(W)	DC	8.75	9.36	9.99

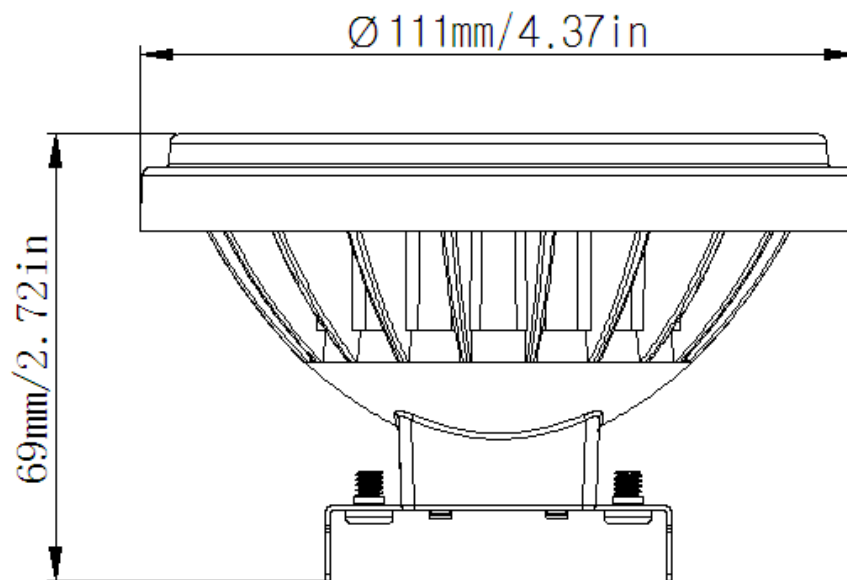
Environmental Requirements

Specifications	Values
Operational Temperature Range	-20~40℃
Preservation Temperature Range	-20~90℃
Operational Humidity Range	95%Rh or below (@-20~40℃)
Installation Area	Indoor (Counter, Residential, Commercial, etc)

LED LAMP AR111



Drawing



Material	IP
ADC12	20
PMMA	

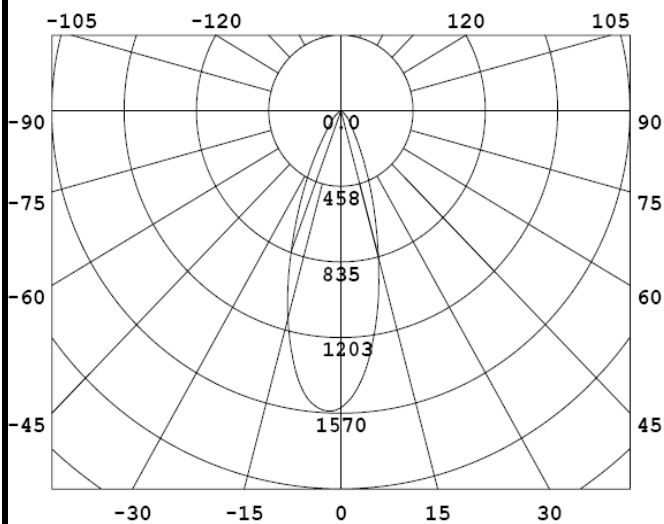
LED LAMP AR111



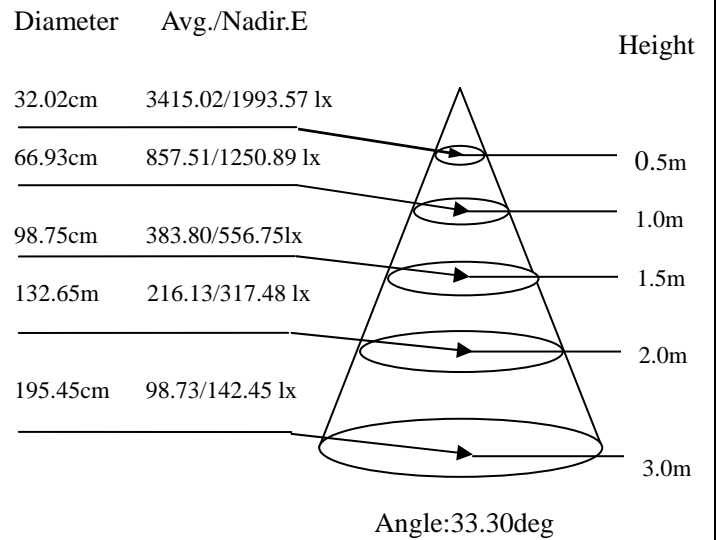
RL-AR111WADSPW-11W

Category	Specifications	Unit
Watts	11	W
Lumens per Watt(Efficacy)	85	Lm/W
Light Output	930	lm
Light Color(CCT)	6000	K
Beam Angle	30	°(degree)
Color Accuracy(CRI)	80	Ra
Product Weight	240	G
Rating Life	35000	H
Base	G53	
Input Voltage(DC/AC)	12	V

Luminance Intensity Distribution



Cone Lux Diagram



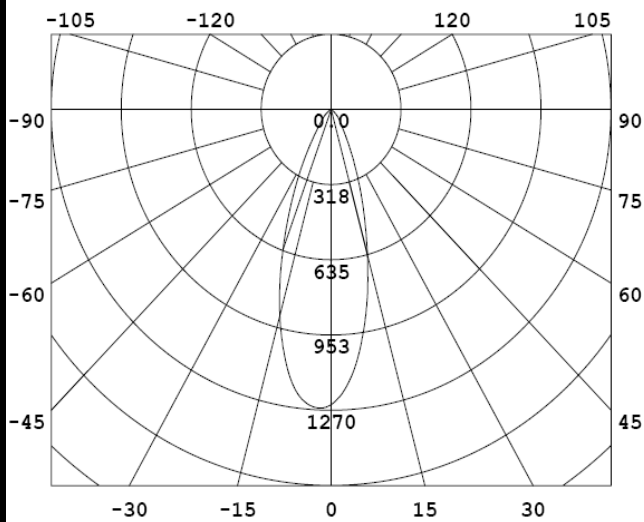
LED LAMP AR111



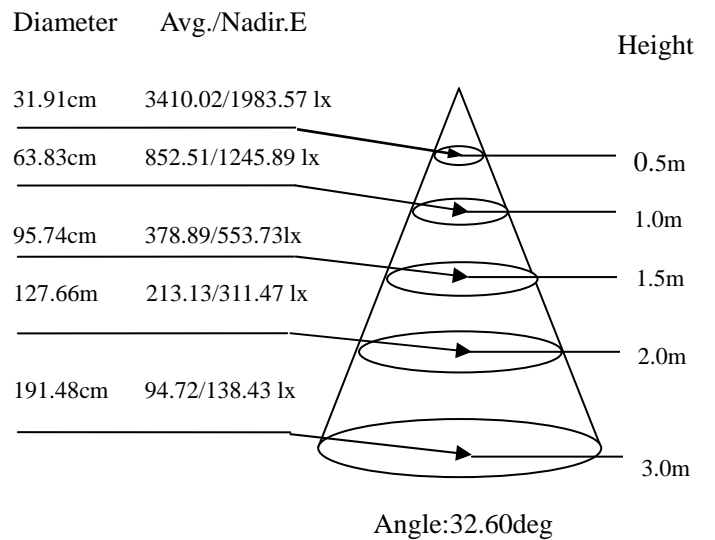
RL-AR111WADSWW-11W

Category	Specifications	Unit
Watts	11	W
Lumens per Watt(Efficacy)	68	Lm/W
Light Output	750	lm
Light Color(CCT)	3000	K
Beam Angle	30	°(degree)
Color Accuracy(CRI)	80	Ra
Product Weight	240	G
Rating Life	35000	H
Base	G53	
Input Voltage(DC/AC)	12	V

Luminance Intensity Distribution



Cone Lux Diagram



LED LAMP AR111



Product Packaging	Specifications	Unit
Product Dimension	Φ111*H69	mm
Net Weight	0.24	Kg
Size of box	L112*W112*H65	mm
Gross Weight	0.273	Kg
Size of Carton	L600*W245*H375	mm
Qty/ Carton	45	PCS
Weight/ Carton	13.8	Kg

Revision History

MTime	Changed to: VER	Description of Change		
		Item	From	To
2013-11-22	1.00	Issue		